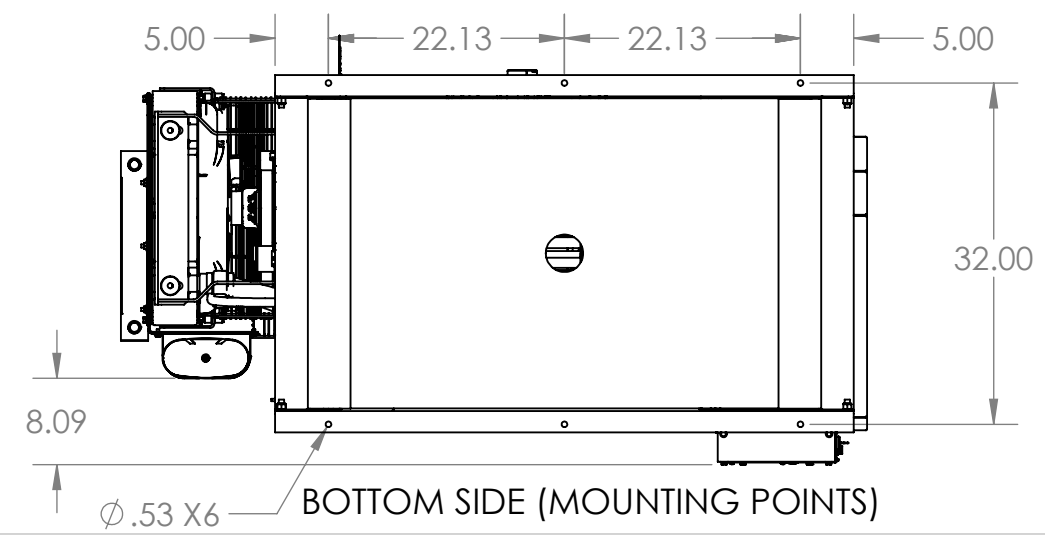
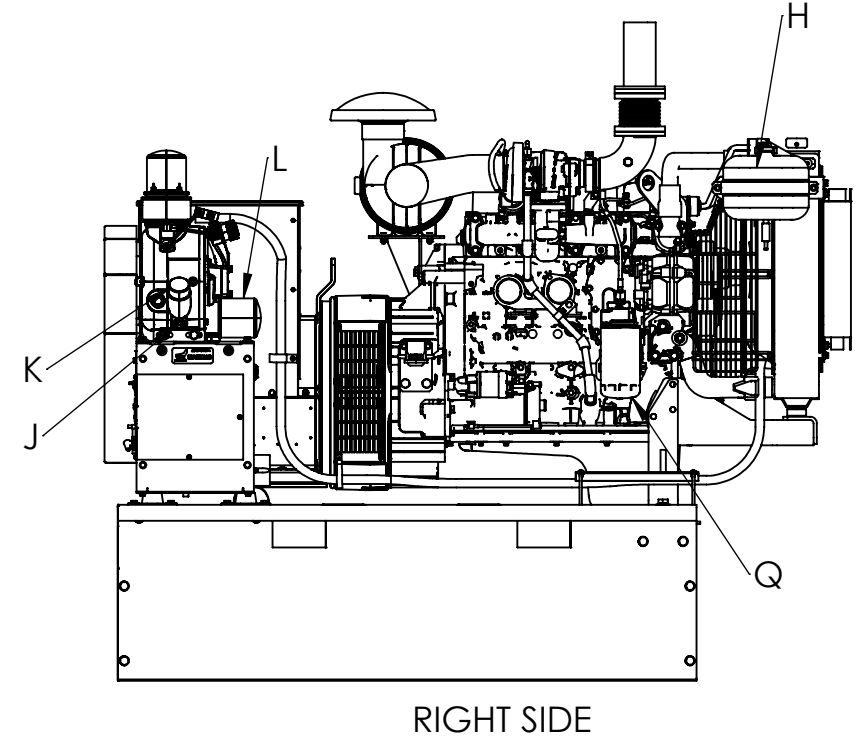
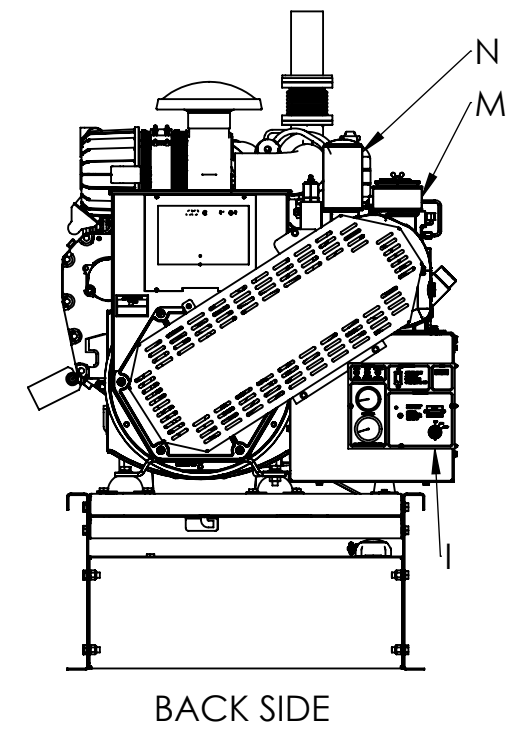
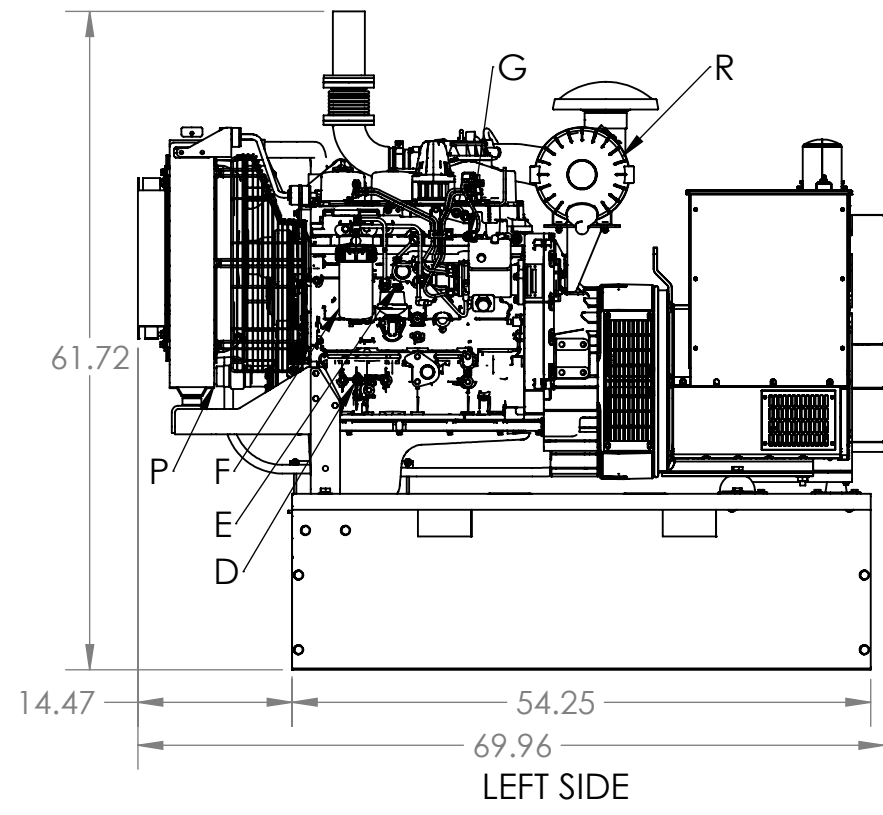
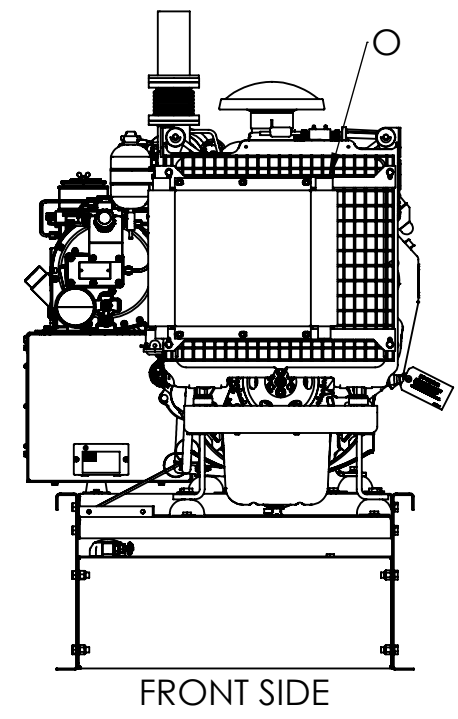
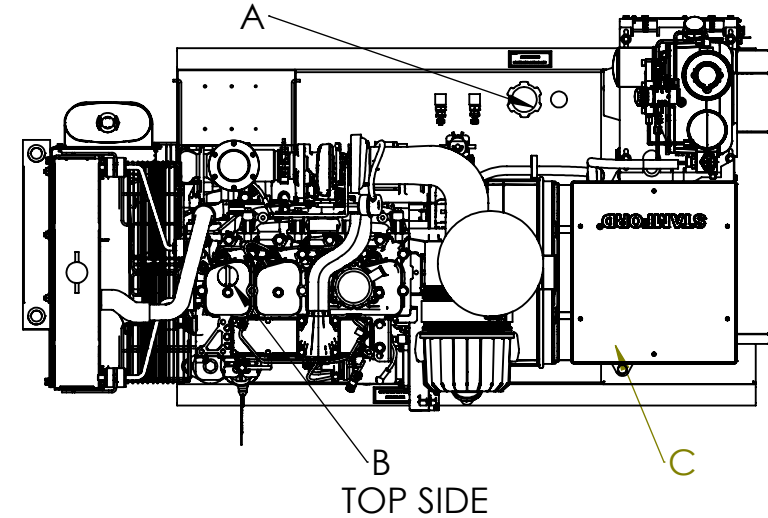


919-O

REVISIONS					
REV.	IRN	DESCRIPTION	DATE	BY	APP'D
A		ORIGINAL	5/3/2016	ASC	ZJF
B		Removed CB and Switched Coolant Tank Sides	5/25/2016	ASC	DRC



KEY COMPONENTS	
A	FUEL FILL
B	OIL FILL
C	LEAD CONNECTION POINT
D	DIP STICK
E	FUEL INLET
F	FUEL FILTER
G	FUEL RETURN
H	OVERFLOW TANK
I	CONTROLS (SWITCHABLE)
J	COMPRESSOR DRAIN
K	COMPRESSOR FILL
L	COMPRESSOR OIL FILTER
M	COMPRESSOR AIR FILTER
N	COMPRESSOR COALESCING FILTER
O	COMPRESSED AIR OUTLET (3/4 NPT)
P	RADIATOR DRAIN
Q	OIL FILTER
R	AIR FILTER

ESTIMATED DRY WEIGHT: 2200 LBS

 THIS DRAWING CONTAINS PROPRIETARY INFORMATION BELONGING TO WINCO. UNAUTHORIZED USE IS PROHIBITED. ALL DIMENSIONS INCH	DRAWN BY	DATE	CHK'D BY	DATE	ENG APPR.	DATE
	ASC	11/20/2015			ZJF	5/4/2016
	TOLERANCE:	+/- 0.0625 DECIMAL		TITLE:		
		+/- 1 DEG ANGULAR		DE4040 OUTLINE DRAWING		
	MODEL:	DE4040		PART: O-516		
			1 of 1			